

# Nice

CE 0682

MNCUT  
MNCUTC  
MNCUC

## MyNice control unit



EN - Instructions and warnings for installation and use

**Nice**



# Applicable regulations, general warnings and precautions

## General warnings

This manual contains important information regarding installation safety; it is important to read all the instructions prior to installing the product. Keep this manual for future use. Further information is available at: [www.niceforyou.com](http://www.niceforyou.com)

It is forbidden to use the products for purposes other than those indicated in these instructions.

Do not effect modifications to any part of the product other than those described in this manual: they may cause malfunctions. Nice S.p.A. declines all liability for damage caused by modified products.

When installing and using the product, make sure that any foreign bodies (solid or liquid) do not enter the devices when they are open.

## Supplementary warnings for mains powered devices

The installation manual is exclusively intended for technical personnel qualified to carry out the installation.

Considering the hazards that may arise during the system's installation and operation, for reasons of safety installation must be carried out in strict compliance with the current legislation, standards and regulations.

## Installation warnings

Check that all the materials are in good working order and suited to the intended applications.

Check that the radio frequencies used by the product are locally approved for use in alarm systems.

Before installing the equipment, check the products' environmental class (see Technical specifications - Table 1).

Check that the radio range of the devices exceeds the physical distance between the various products (see Technical specifications - Table 1).

## Technical assistance

The Nice S.p.A. Technical Assistance Service, reserved for professionals, is at your disposal during the following periods:  
Monday to Friday from 8:30 to 18:30  
and Saturday from 09:00 to 12:00.  
Tel. +39 0422 1838383  
E-mail: [customerservice@niceforyou.com](mailto:customerservice@niceforyou.com)

## EN 50131 standard

The control unit and the programmable parameters of the individual devices are set to average default values conforming to the EN 50131 standard. In certain cases modifications are signalled that imply breaches to the EN 50131 standard: the responsibility for any decisions in this regard bears on the installer and/or user.

The EN 50131 standard defines the Grade 2 minimum autonomy for power shortage at 12 hours: it must be guaranteed by correct installation (see Current draw - Table 2).

## EC Declaration of Conformity

Hereby, NICE S.p.A., declares that the radio equipment type

- MNCUT  
- MNCUTC  
- MNCUC

is in compliance with Directive 2014/53/EU.

The full text of the EU declaration of conformity is available at the following internet address:

<http://www.niceforyou.com/en/support>

## Disposal of the product

All devices of this alarm system constitute an integral part of the installation and must be disposed of together with the latter. Similarly to the installation operations, once the products reach the end of their useful life, they must be dismantled by qualified personnel. These products are made of various types of materials, some of which can be recycled while others must be scrapped. Find out about recycling and disposal systems in use in your area for this category of products.

**Warning!** Some parts of the products may contain pollutants or hazardous substances which, if released into the environment, may cause serious damage to the environment or human health.

**Warning!** It is forbidden to dispose of these products together with household waste. Separate the waste into disposal categories according to the methods established by regulations applicable in your area, or return the products to the retailer when purchasing a new equivalent version.

### Disposal of cells and batteries

The cells and batteries used in this alarm system, even when exhausted, contain polluting substances and therefore must not be disposed of as household waste. They must be disposed of according to separate waste collection methods as envisaged by the local regulations.

### Disposal of the packaging

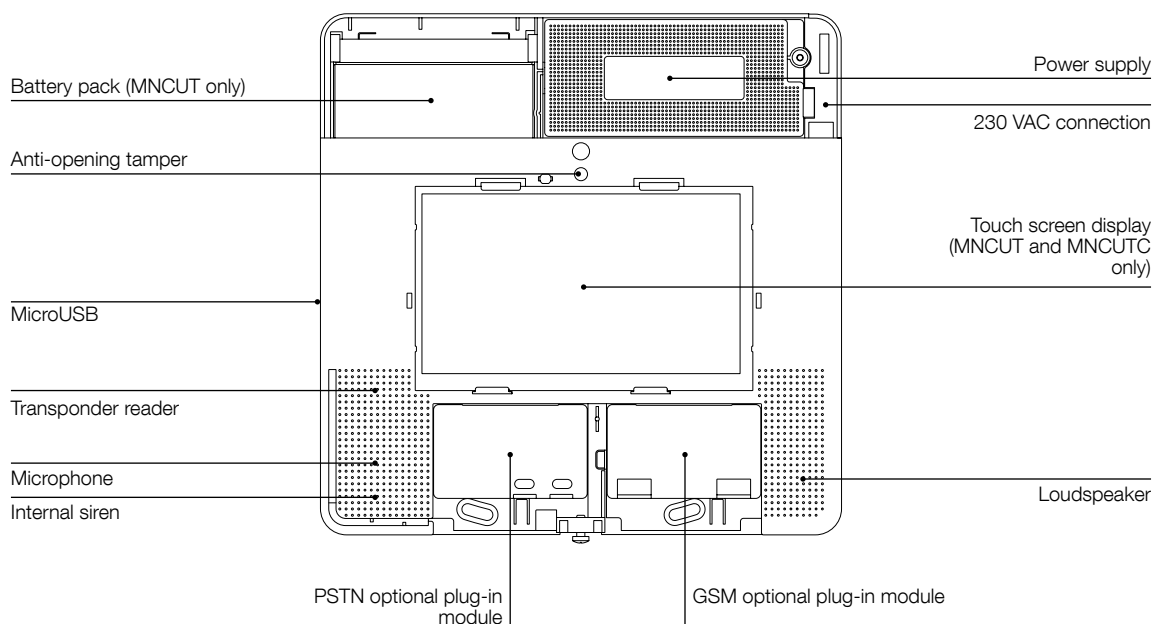
The packaging materials must be disposed of in compliance with the local regulations.



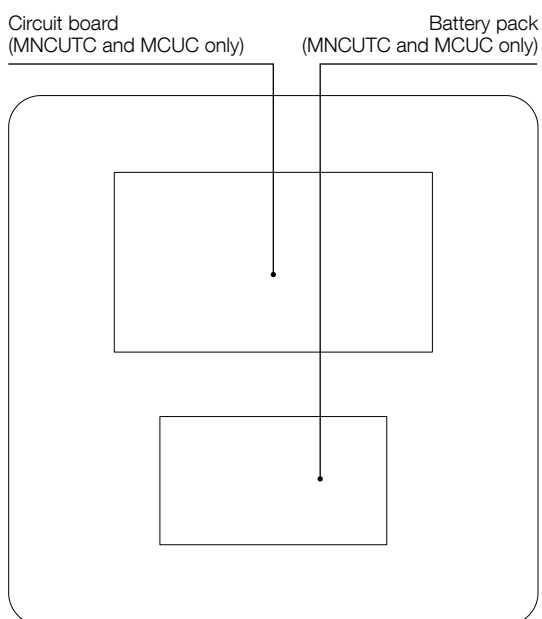
# Description of the control unit

**MyNice control units are designed to manage and command alarm systems and for the integrated management of automations.**

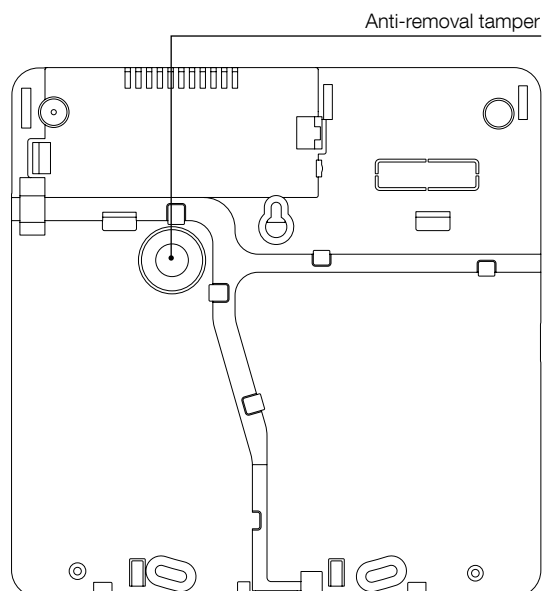
## MNCUT - MNCUTC - MNCUC



## MNCUTC - MNCUC



## MNCUT - MNCUTC - MNCUC



## Difference between control unit models and optional modules

MyNice control units allow for creating small to medium-sized installations, containing from 1 to 99 detectors. Depending on the type and size of the system, there are 3 control unit models to choose from.

**MNCUT** MyNice control unit 99 zones in 6 areas, dual band two-way radio with 7" colour touch screen. Comes with 110–240 VAC power supply and 6 V 1.2 Ah back-up battery. Inclusive of Wi-Fi module.

**MNCUTC** Like MNCUT with 8-input circuit board and 110–240 VAC power supply with 2x2.7 Ah 12 V back-up batteries (not included).

**MNCUC** Like MNCUTC, without touch screen. Can be managed through tablet/PC via Wi-Fi.

### Optional modules

- MNGSM** Plug-in GSM module
- MNPSTN** Plug-in PSTN module

## Technical characteristics

Table 1

Code	MNCUT	MNCUTC	MNCUC
Power supply	110 V–240 V	110 V–240 V	110 V–240 V
Surveillance	18'	18'	18'
Radio transmission	GFSK dual band 433.54-433.92 MHz; 868.30-868.94 MHz	GFSK dual band 433.54-433.92 MHz; 868.30-868.94 MHz	GFSK dual band 433.54-433.92 MHz; 868.30-868.94 MHz
Open-field radio range, without disturbances	> 100 m	> 100 m	> 100 m
Insulation (class)	II	II	II
Environmental class in accordance with EN 50131-1	2	2	2
Operating temperature	-10°C ... +40°C	-10°C ... +40°C	-10°C ... +40°C
Dimensions (WxDxH)	265 x 265 x 40 mm	265 x 265 x 85 mm	265 x 265 x 85 mm
Weight	1,250 g	1,850 g	1,650 g
IP	40	40	40

## Current draw

Table 2

Code	MNCUT	MNCUTC	MNCUT	MNCUTC	MNCUT	MNCUTC	MNCUT	MNCUTC	MNCUTC and MNCUC	MNCUC
Power supply	110–240V						110–240V		BLACK-OUT	BLACK-OUT
Touch screen brightness	100%		50%		10%		-		-	-
Mains power	7.5 V 2 A	14.5 V 1.6 A	7.5 V 2 A	14.5 V 1.6 A	7.5 V 2 A	14.5 V 2 A	14.5 V 1.6 A	7.5 V 2 A	-	-
Battery pack	1 x 6 V 1.2 Ah	1–2 x 12 V 2.2 Ah	1 x 6 V 1.2 Ah	1–2 x 12 V 2.2 Ah	1 x 6 V 1.2 Ah	1–2 x 12 V 2.2 Ah	1–2 x 12 V 2.2 Ah	1 x 6 V 1.2 Ah	1–2 x 12 V 2.7 Ah	1 x 6 V 1.2 Ah
<b>Current draw in stand-by</b>										
CPU (mA)	720	390	520	300	350	200	150	270	30	45
Wi-Fi (mA)	40	40	40	40	40	40	40	40	-	-
Circuit board (mA)	-	20	-	20	-	20	20	-	20	-
MNGSM (mA)	10	10	10	10	10	10	10	10	10	10
MNPSTN (mA)	0	0	0	0	0	0	0	0	0	0
Total (mA)	770	460	570	370	400	270	220	320	60	55

The composition and use of the system involve aspects that impact consumption, in particular the brightness of the display, the power draw of sirens and of any peripherals wired to the system. These factors must be taken into account in relation to the power supply's power rating, which must be able to guarantee correct charging of all the connected batteries. The table indicates the current draw levels of the 3 control unit models and the relative batteries. For each system the following elements must be calculated:

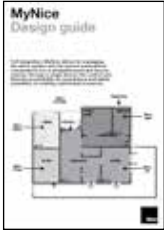
**a)** the maximum current draw, calculated by adding to the consumption of the control unit that of other devices wired to it, must not exceed the power supply's capacity (the current draw should be contained to 80% of the nominal capacity).

**b)** the minimum autonomy, in the absence of 230 V power supply, taking into account 80% of the battery's nominal capacity.

**Warning!** If there is no mains power, the display and Wi-Fi module of the control unit will be disabled. Connection to the network must be made through the GSM/GPRS module.

**Warning!** Control units with touch screen (MNCUT/MNCUTC): take into account the indicated consumption differences, linked to the brightness of the touch screen – good visibility can be obtained even at 35%.

# Designing the system



**Before starting with the programming phase, read the enclosed Design Guide. After filling in the details, you will have all the elements required to complete the successive programming phase.**

**Before proceeding with installation, read the installation manual and verify the integrity of the product, the appropriateness of the chosen model and the suitability of the intended installation site. Check that all the use conditions fall within the limits specified under the “Technical specifications”.**

**The product must be integrated exclusively with two-way MyNice devices.**

## Positioning the devices in the system

Design the floor plan of the rooms to be protected and indicate on the plan the exact points where the various devices must be installed.

**Warning!** This drawing will subsequently be used to complete the works described in the following chapters.

It is crucial to carefully choose the type of detector to be used in relation to the required task. An incorrect type of detector or one that is positioned in an unsuitable location may not be able to detect a burglary attempt or may signal improper alarms. Each type of detector has its own specific operating principles, therefore, the relevant technical sheet should be consulted in the relative instructions.

### 01. Indicate the positions of all detectors that must monitor the perimeter of the environment:

- Opening of doors and windows (MNMC);
- Intrusion from the outside, crossing of doors and windows, with vertical curtain infrared technology (MNCPIR2AA);
- Detectors to be installed in the outdoor area to detect burglary or crossing attempts (MNDTAA, MNDTPETAA, MNDTLRAA, MNPIRT-VCC, MNPIRTVCCPET).

### 02. Indicate the positions of all detectors that must monitor the interior of the environment:

- Movement of people, volumetric infrared detector MNPIR or with pet immunity detector MNPIRPET; install versions AA with anti-masking function in case of exposed rooms. It is advisable not to install infrared detectors near possible hot or cold air turbulences (fireplaces, radiators, etc.);
- Breaking of glass (MNGB);
- The presence of smoke (MNSD technical sensor);
- Flooding (MNWD technical sensor).

### 03. Indicate the position of all fixed devices that must control the alarm system inside the environment:

LCD keypad (MNKP): up to maximum 4 radio keypads can be used for the system's daily management (for example, to engage and disengage the alarm, entering the home from secondary entrances). The keypads can be wall-mounted or carried like a normal remote control.

### 04. Indicate the position of all the other devices used to ring the buzzer, besides the siren integrated in the control unit:

- Outdoor siren (MNS-MNSC);
- Indoor siren (MNSI).

The control unit incorporates an efficient siren. In large multi-storey houses, we recommend adding one or more indoor sirens (MNSI) to be installed in the main rooms. With regard to isolated homes, it is strongly advisable to install at least one outdoor siren, in a clearly visible position (its mere presence is a deterrent) where it is difficult to access by potential burglars. Although outdoor sirens are adequately protected against weathering, they should nonetheless be installed in areas protected against direct rainfall – ideally under the roof's protrusion or beneath a terrace/balcony.

### 05. Indicate the position of the control unit, after carefully considering the following aspects:

- the control unit without the display must be positioned at least 1 metre above the floor to favour the Wi-Fi communication. Place the versions with display roughly 1.5 metres above the floor;
- the distance separating the control unit from each detector (point A);
- the number of walls between the control unit and the devices, and the materials with which they are built (point B);
- the position of the fixed telephone line (if the user wishes to receive alarm alerts via telephone MNPSTN) (point C);
- the coverage of the GSM line (if the MNGSM module is available, with GSM telephone dialler) (point D);
- the control unit works by transmitting and receiving low-power radio signals within the limits specified by the law. For this reason, the control unit should be centrally located with respect to the other devices.
- the zone where the control unit is to be installed must ensure efficient propagation of the radio signals.

It is important to bear in mind that the quality of the radio transmission inside buildings may be influenced by various factors:

- the number of walls, and their constituent material, and obstacles between the devices and the control unit;
- the presence of sources of electromagnetic radiation that generate radio disturbances (e.g. television sets).

Therefore, we recommend installing all the system's devices far from television sets; do not install the control unit inside niches, metal cabinets, on load-bearing pillars of the building and on reinforced concrete walls. Avoid placing the control unit near broad metal surfaces and metal grilles, including those inside walls. Refer to Table 3 for the maximum allowed distance between the control unit and any device, in relation to the number of obstacles lying in between them and the shielding properties of the obstacles themselves.

## Control unit radio range

Table 3

Material	Estimated maximum range
In open space (outdoors)	roughly 100 metres
Plasterboard/wooden walls	approx. 50 metres, through a maximum of 5 walls
Brick or concrete walls	approx. 30 metres, through a maximum of 3 walls
Reinforced concrete walls or ceilings	approx. 20 metres, through a maximum of 1 wall or ceiling
Metal walls	not allowed: metal walls shield almost entirely

## Subdivision into environments and areas

### Subdivision into environments and rooms

Write the name of the rooms on the building's floor plan. For example: kitchen, living room, stairway, entrance, garage, basement, bedroom, Antonio's bedroom. This will be helpful to assign a name and specific location to the elements within the home and manage their installation and use more speedily. For example, it will enable the detectors to send the following message: window open in the kitchen.

### Example of "perimeter" subdivision (Fig. 2):

AREA 1 = Outdoor volumetric detectors to protect the garden (series MNDT, etc.)

AREA 2 = Proximity perimeter volumetric detectors for doors and windows, with "curtain"-effect lens (series MNCPIR, etc.)

AREA 3 = Door and window opening detectors (MNNC)

AREA 4 = Indoor volumetric detectors for the garage (series MNPIR, etc.)

AREA 5 = Volumetric detectors for the living room (series MNPIR, etc.)

AREA 6 = Volumetric detectors for the bedrooms (series MNPIR, etc.)

**Advantages:** allows for moving freely inside the home, monitoring the perimeter against possible break-ins (areas 5 and 6 disabled; areas 1, 2, 3 and 4 enabled). This solution ensures progressive protection by diffusing voice messages through sirens to ward off break-in attempts in the outdoor area, subsequently activating the siren at full power and making phone calls in case of attempted break-ins involving the inner areas.

### Example of "block" subdivision (Fig. 3):

Area 1 = Garden detectors

Area 2 = Garage detectors

Area 3 = Room 1 detectors

Area 4 = Room 2 detectors

Area 5 = Room 3 detectors

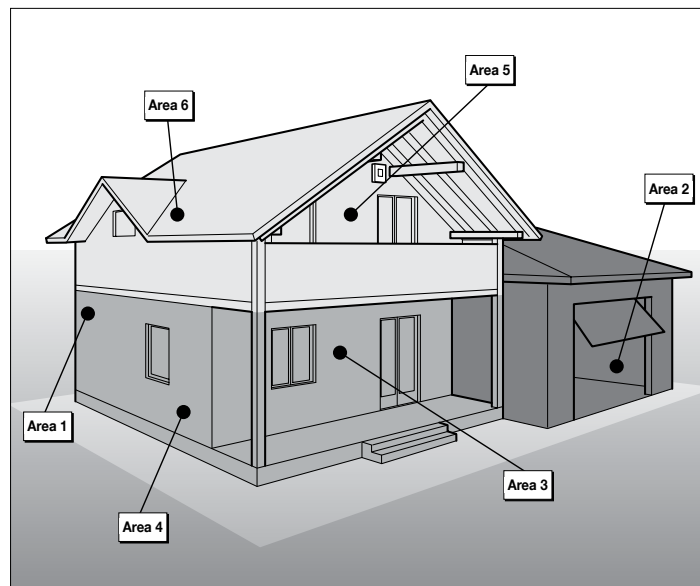
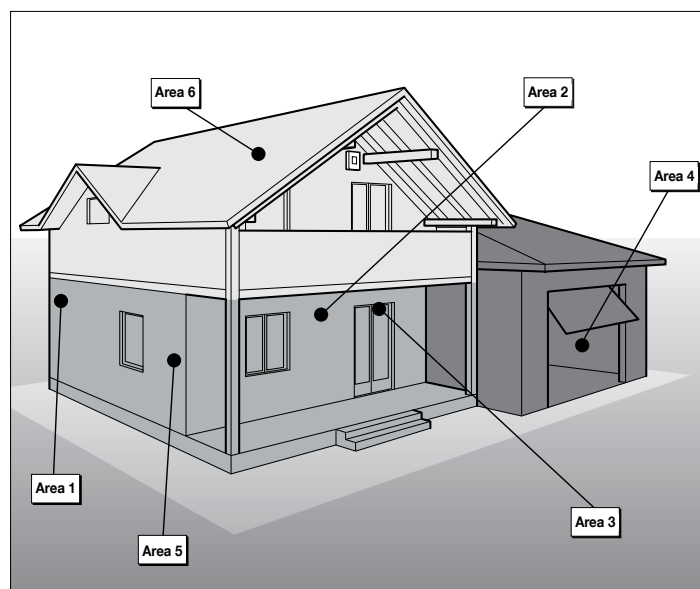
Area 6 = Room 4 detectors

**Advantages:** allows for personalising the alarm and voice message enabling based on the rooms to be protected. Different access priorities can be assigned based on the intended use of the rooms, for example: outdoor area, warehouse, office, showroom.

Each detector in the system must belong to one or two of the designated sub-sets. Flooding and smoke detectors are the exception, as they must ensure 24 h protection even when the alarm is disabled and people are present inside the home. As a result, they belong to a specific function: "TECHNICAL ALARMS".

### Subdivision of the environment into "areas"

During the programming phase, the detectors can be grouped into 6 different AREAS: 1, 2, 3, 4, 5, 6 (the names of the areas can be personalised when programming the control unit). In this way, when using the system the alarm can be enabled fully or partially, in order to protect the environment in a differentiated manner. In assigning the detectors to a same group it is important to assess the type of building and personal preferences regarding use of the spaces. It is also possible to programme all the devices in a single AREA. All the technical sensors – for example, the flooding and particulate sensors (always active) – cannot be disabled and do not have to be assigned to a specific area.



## Wi-Fi connection

If the house has a Wi-Fi connection, the system can be connected in Client mode. The control unit can also function without a Wi-Fi connection, in Access Point mode, as it can be controlled via smartphone, tablet and PC in the WLAN area alone. If the disable Wi-Fi option is selected (not available on the MNCUC model), the control unit will only communicate via GSM or PSTN with the relevant accessory modules.

For connection in the Client mode, keep on hand the name and password of the Wi-Fi network to which the control unit must be connected.

### System name

To connect the installation to the remote control system, an identification name must be assigned to the installation (e.g Rossi Home, Rossi Seaside Home, Rossi Office); this name will be requested when recording voice messages and appears in communications via apps, SMS, voice messages and for security agencies. If one or more installations are connected to the same app, it is important to use a different name that specifically identifies the home.

# Installation phases

---

## 1. Radio device configuration on bench

Remove the devices from the package and place them on a flat surface. Insert any required additional MNGSM modules (see MNGSM) and MNPSTN modules (see MNPSTN). Power the control unit and follow the instructions on the screen to complete the programming phase and acquire the individual devices (see Programming). During this phase it may be useful to mark the wireless devices with a temporary label specifying the name and number assigned to the device, while the devices are gradually paired with the control unit.

## 2. The range test.

Place the control unit and the wireless devices (without securing either) in their designated installation point and test their operation, verifying that the radio signal is correctly received in every point.

## 3. The definitive mounting of each device.

## 4. The setting of each device's specific parameters.

If necessary, configure the advanced and detailed functions of the devices on the control unit.

## 5. The electrical connections.

## 6. The installation of the control unit (see Installing the control unit)

# Programming

---

**Since the system components communicate via radio, it is advisable to first configure the system on a bench before definitively installing all the devices.**

### Optional MNGSM and MNPSTN modules

Before powering the control unit for the initial start-up and programming of the devices "on the bench", connect any optional MNGSM and MNPSTN modules (see pages 10 and 11).

### MNCUT and MNCUTC touch screen control units

After connecting the power cable the touch screen displays the programming procedure. If the screen enters the stand-by mode it can be reactivated by simply touching any point.

### MNCUC control unit

It can be programmed through a PC browser or tablet equipped with Wi-Fi network interface card.

After connecting the control unit to the mains power supply, connect the device or PC or tablet to the WLAN, which will be named HS3\_(control unit serial no.); then enter in the browser's address bar the control unit link (the default address is "http://192.168.100.1").

**Warning!** Modify the connection data after the initial start-up for security and privacy reasons.

## "Bench" programming

Access to the control unit's programming sequence guides the user in configuring the system, by requesting information at each step: before proceeding, make sure to have read the instructions and to have all the necessary material and information on hand.

### Preliminary stages in the programming procedure

General settings  
Language and country  
Date and time  
System name  
Wi-Fi connection

### Alarm system settings

Name of the areas  
Programming of the devices  
During this phase it is useful to temporarily mark the devices (with sticky tape or labels) with the desired name.

Identification of the installer  
Identification of the Power User  
User management  
Generic control unit parameters  
Recording of voice messages

### System test

Before attaching the devices to the control unit, run an initial test by positioning the devices near their designated installation points to verify the radio transmission range.

### Pairing Nice automations with the system

After terminating the programming phase, fasten the devices, the wired connections of the peripherals and, lastly, the control unit.

# Installing the control unit and testing the system

---

### Before proceeding with the installation

- Check that all the conditions of use fall within the "Product technical specifications".
- Check that the chosen installation site is compatible with the product's overall dimensions.
- Check that the mounting surface is solid, so that the device can be fastened stably and adequately protected against possible impacts.
- Place the versions without display at least 1 metre above the floor to favour the Wi-Fi communication. Place the versions with display roughly 1.5 metres above the floor.
- The product can only be used with devices of the MyNice system.

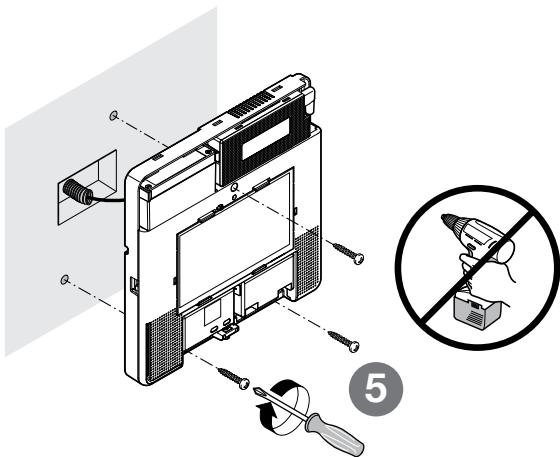
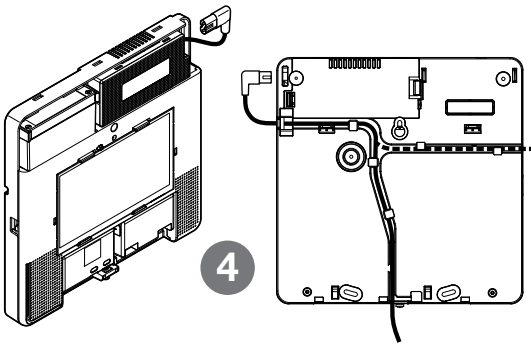
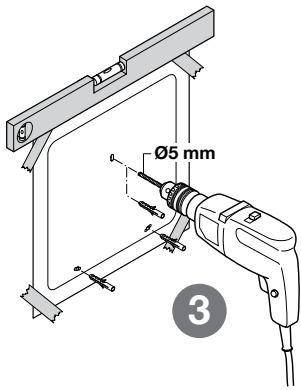
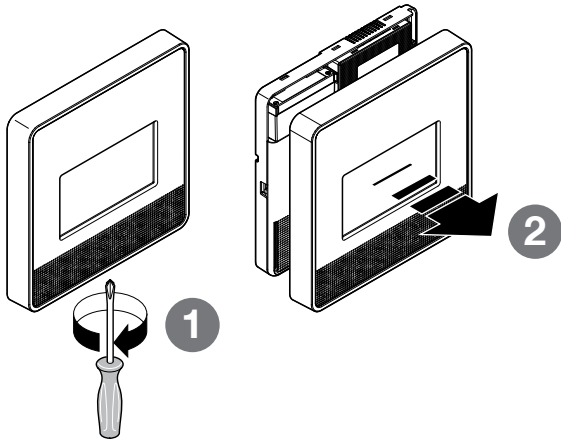
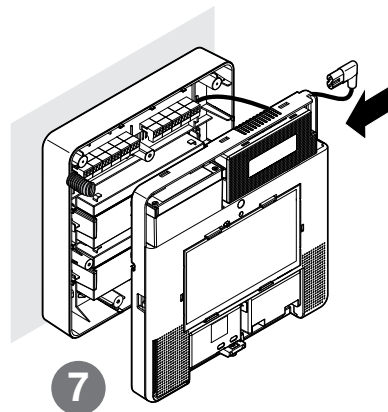
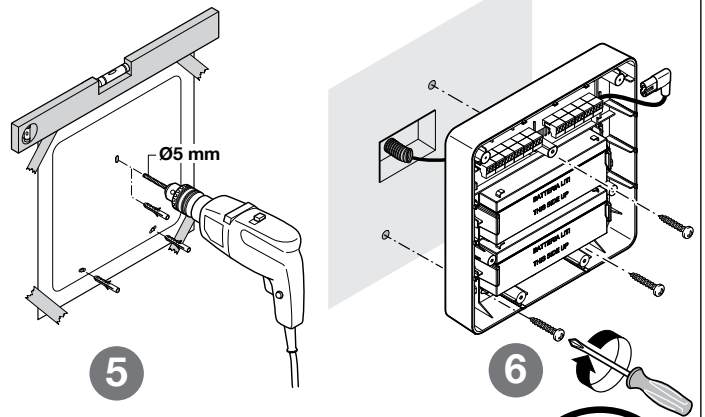
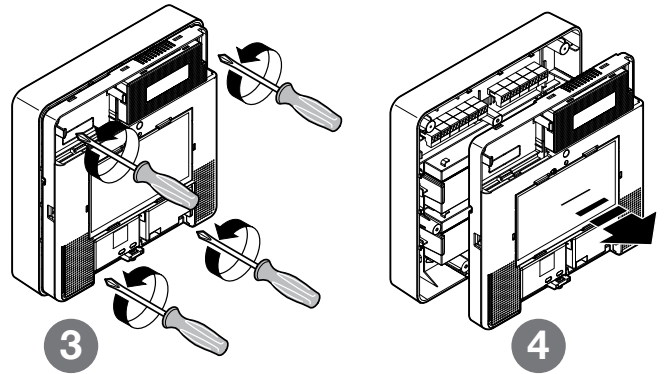
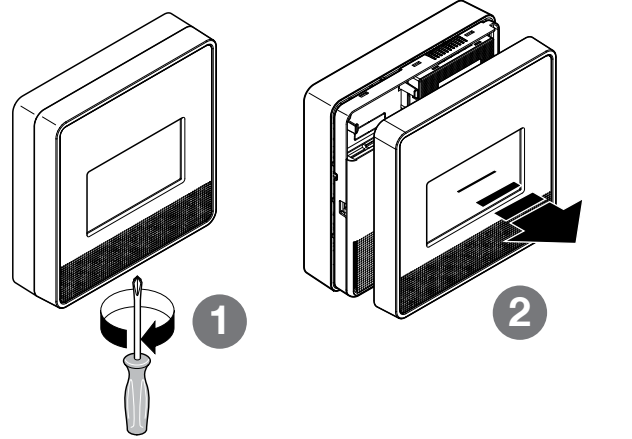
### Installing the control unit

After programming the control unit on the bench and connecting any wired devices, connect the back-up batteries and follow the sequence of images to mount the control unit correctly onto the wall (Figs. 1–2).

### General system test

After securing the control unit and calibrating the sensitivity parameters of the devices, run a general test of the system.



**1****2**

# GSM connection

## Installing the MNGSM module

Insert the SIM card into any telephone, verify that it is active and disable the PIN code. Make sure that the control unit is powered, connect the MNGSM plug-in module to the control unit then insert the SIM card (Fig. 3). If the telephone uses a MicroSIM, use the appropriate adapters available on the market (not compatible with NanoSIM).

**Warning!** The SIM card's PIN code must be disabled, together with any messages, address books or other data present in the SIM card memory.

## Requesting information and sending commands via telephone call

**Warning!** Not envisaged in the EN 501316.1.1.1 standard.

It is possible to access the control unit by calling the telephone number of the SIM card inserted in the MNGSM module.

- from the telephone numbers of memorised and enabled users
- from non-memorised disabled telephone numbers (provided they are anonymous), by digiting after the reply signal the User PIN code followed by #

If the voice messages have been recorded correctly, the control unit will reply with the following voice message:  
System name > incoming call reply

If the voice messages have not been recorded, **wait for the acoustic signal.**

Operations	Description
*	Ambient listening and speakerphone dialogue
0#	Verification of the control unit's ON/OFF status (enabled/disabled)
0*1#	Full enabling (confirmation reply with 3 beeps)
0*2#	Partial enabling (set for the user)
0*0#	Disabling (confirmation reply with 1 beep)
#	Interruption of alarm calls

Enter the indicated codes and wait for the reply: the control unit will reply with the recorded voice messages or, if none are recorded, with acoustic signals to confirm the reception of the command.

## Requesting information and sending commands via SMS

**Warning!** Not envisaged in the EN 501316.1.1.1 standard.

**Warning!** The SMS delivery and receipt times, managed by the SIM card provider, may cause delays in the delivery and receipt of the sent command.

SMS	Operation	Reply / confirmation SMS
ON*OK	Verification of the control unit's ON/OFF status (enabled/disabled)	ON*123456( <i>areas</i> )*OK if the alarm is enabled OFF*OK if the alarm is disabled
ON	Full enabling	ON*OK
ON*123456( <i>areas</i> )	Enabling in the selected areas	ON*123456 ( <i>areas</i> )*OK
OFF	Disabling	OFF*OK
C?	Request for SIM card remaining credit	SIM card provider reply

## SMS command of actuators wired to the control unit (only for the MNCUTC and MNCUC models)

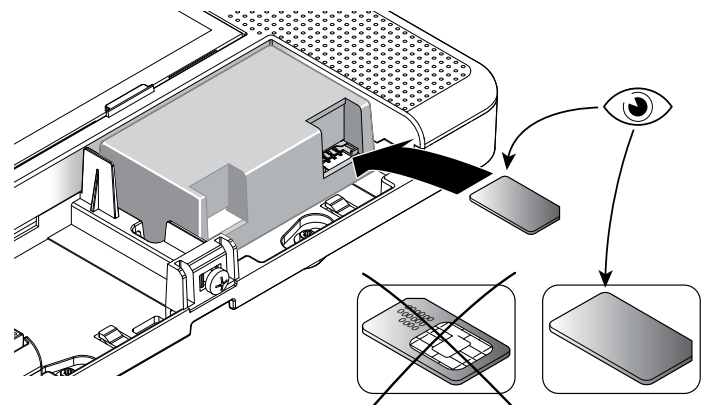
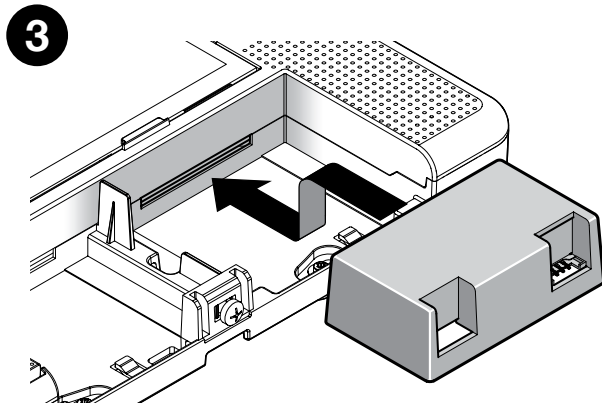
It is possible to activate, deactivate and request the status of each single wired device if the name programmed in the control unit is known:

- name of the device followed by space then ON to activate
- name of the device followed by space then OFF to deactivate
- name of the device followed by space then ? to verify the ON/OFF status

## Data transmission activation

MNGSM is compatible with data transmission.

The server's IP address and the APN of the providers Tim, Vodafone and Wind are configured automatically; the user name and password must only be entered if the provider requests them.



# PSTN connection

## Installing the PSTN module

Make sure that the control unit is not powered and insert the plug-in module to connect the telephone line (Fig. 4). Connect the control unit to the telephone line (Fig. 5).

## Configuration

Verify the country to obtain the automatic configuration of the dial tones. Enable the telephone switchboard (if present) and enter the number to access the external line (switchboard by-pass); modify the number or rings after which the control unit replies.

Operations	Description
*	Ambient listening and speakerphone dialogue
0#	Verification of the control unit's ON/OFF status (enabled/disabled)
0*1#	Full enabling (confirmation reply with 3 beeps)
0*2#	Partial enabling (set for the user)
0*0#	Disabling (confirmation reply with 1 beep)
#	Interruption of alarm calls

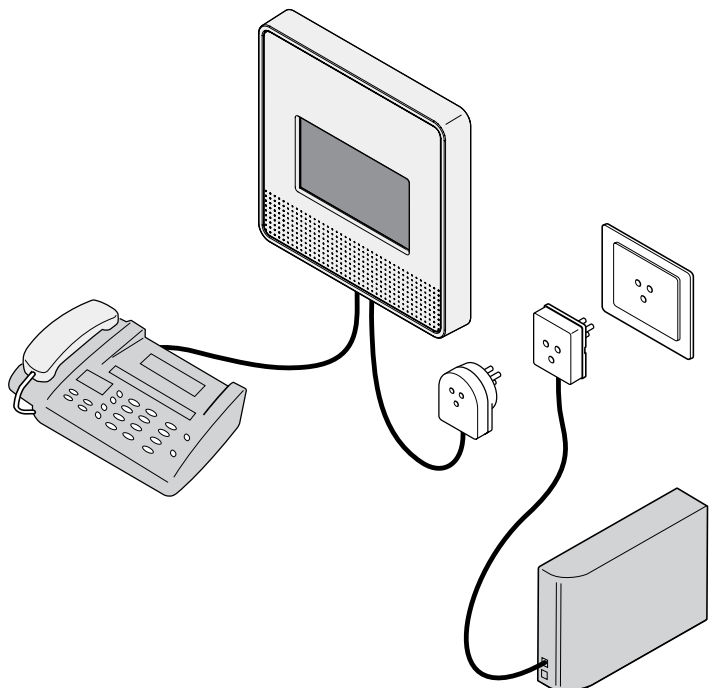
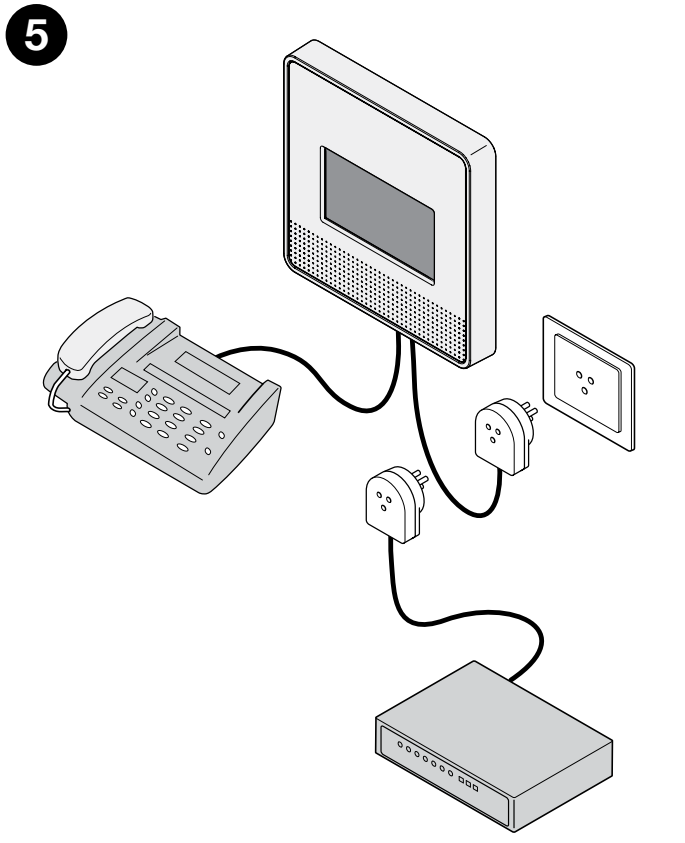
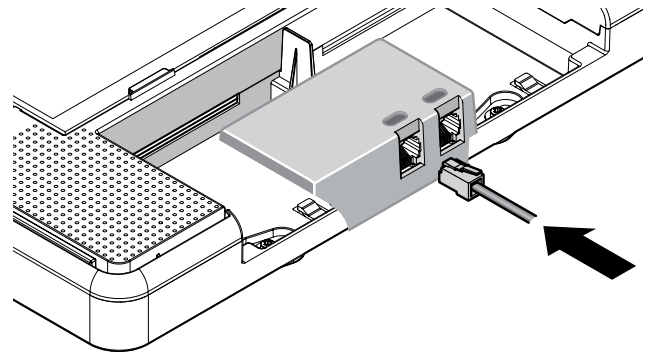
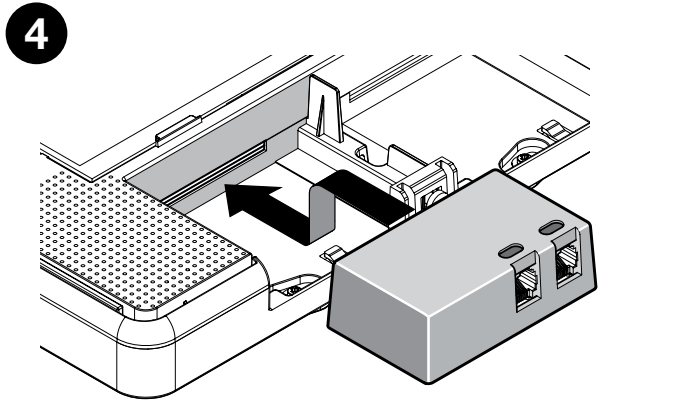
## Requesting information and sending commands via telephone call

The control unit can be accessed by dialling the number of the PSTN line connected to the control unit, from any telephone number, by entering after the reply signal the User PIN code followed by #.

If the voice messages have been recorded correctly, the control unit will reply with the following voice message:  
System name > incoming call reply

If the voice messages have not been recorded, **wait for the acoustic signal.**

Enter the indicated codes and wait for the reply: the control unit will reply with the recorded voice messages or, if none are recorded, with acoustic signals to confirm the reception of the command.



# Electrical connections

---

## Warnings

The connection to the mains power supply must be done by an expert and qualified electrician in accordance with the regulations on electrical circuits.

- Install a 2-pole trip switch with contact gap of at least 3 mm, or use an electrical cable equipped with a plug for standard sockets.
- To ensure conformity to the EN 50131 standard, the connections to any supplementary sirens (whether self-powered or not and conforming to the standard) must be protected with a balanced TAMPER line, using the alarm inputs.
- The relay outputs must be used within the voltage and current value limits shown in the figure.
- To ensure conformity to the EN 50131 standard, conventional detectors connected directly to the control unit must be certified EN 50131 Grade 2 or higher, and operate with balanced lines, therefore suitable resistors must be used as illustrated (Fig. 6).
- The +OFF signal is positive when the control unit is disabled and is used to block any detectors/sirens equipped with the appropriate input.
- The fault input, if used, triggers the ANOMALY signal and the relative warning messages.
- All unused inputs may be left without any connection (they do not require balancing), unless if they are incidentally closed, even temporarily. In this case, the control unit must be disconnected then re-powered (line reset).

---

## Connecting wired inputs

The MNCUTC and MNCUC control units have a circuit board for connecting sirens and 8 inputs for wired detectors. In addition, there are two relays that can be programmed on the control unit, used to repeat control unit notifications or to control generic loads.

**8 IN inputs:** configurable to single or double balancing, balanced impulse counter, NC, NO, impulse counter

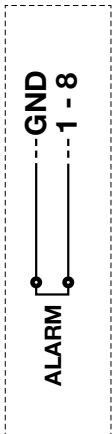
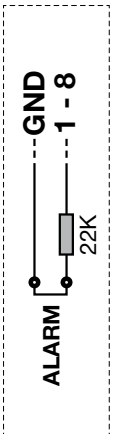
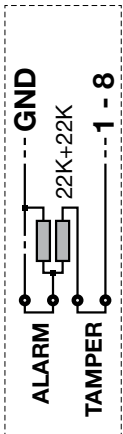
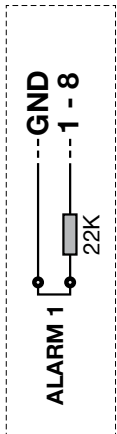
**1 InKey input:** allows for enabling/disabling the control unit with an impulsive or bistable programmable contact

**2 Tamper inputs,** to be used solely if the alarm inputs are NC configured

**1 balanced Tamper input,** always active, used to connect a self-powered siren

**1 balanced Fault input**

**Warning!** To activate the inputs via cable, they must be closed, with or without resistors, for at least 5 seconds from the initial power-up.



12 V power supply for wired detectors - max 200 mA total

ground

alarm inputs

alarm inputs

alarm inputs

alarm inputs

tamper inputs (only with inputs used in NC mode - Warning! Not conforming to EN 50131 ... close on GND)

12 V positive signal with control unit disabled for various uses - max 100 mA

12 V power supply for wired detectors - max 200 mA total

ground

alarm inputs

alarm inputs

alarm inputs

alarm inputs

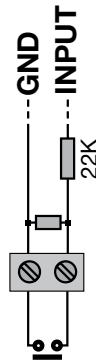
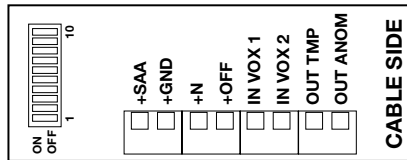
tamper inputs (only with inputs used in NC mode - Warning! Not conforming to EN 50131 ... close on GND)

R22k balanced "fault" input (EN 50131 – close on GND)

+12 V for supplementary sirens

ground

+12 V	⊗
GND	⊗
IN1	⊗
IN2	⊗
IN3	⊗
IN4	⊗
TMP 1-4	⊗
+ OFF	⊗
+ 12V	⊗
GND	⊗
IN5	⊗
IN6	⊗
IN7	⊗
IN8	⊗
TMP 5-8	⊗
24H	⊗
+SIR	⊗
GND	⊗



+14.5 V: power supply for self-powered sirens with back-up battery

ground

positive missing in alarm mode to command the sirens - high-power sound

R22k balanced input for siren self-protection via cable (close on GND)

positive missing to command the "voice 1" message through siren via cable code 7210

positive missing to command the "voice 2" message through siren via cable code 7210

potential-free exchange of relay 1 - max 1A

potential-free exchange of relay 1 - max 1A

potential-free exchange of relay 1 - max 1A

potential-free exchange of relay 2 - max 1A

potential-free exchange of relay 2 - max 1A

potential-free exchange of relay 2 - max 1A

double balancing, bistable or impulsive operation

+SAA	⊗
GND	⊗
+N	⊗
TMP SAA	⊗
V1	⊗
V2	⊗
NC1	⊗
COM1	⊗
NO1	⊗
NC2	⊗
COM2	⊗
NO2	⊗
INKEY	⊗

# Elements of the MyNice system

---

## Control units

**MNCUT** MyNice control unit 99 zones in 6 areas, dual band two-way radio with 7" colour touch screen. Features 230 V power supply with 6 V 1.2 Ah back-up battery. Inclusive of Wi-Fi module.

**MNCUTC** MyNice control unit 99 zones in 6 areas, two-way dual band radio with 7" colour touch screen and 8-input circuit board. Features 230 V power supply with 2x2.7 Ah 12 V back-up batteries (not included). Inclusive of Wi-Fi module.

**MNCUC** MyNice control unit 99 zones in 6 areas, two-way dual band radio. Can be managed through tablet/PC via Wi-Fi, 8-input circuit board. Features 230 V power supply with 2x2.7 Ah 12 V back-up batteries (not included).



---

## Control devices

**MyNice World app** Application for remotely controlling the system via Wi-Fi.

**MNKP** LCD keypad two-way dual band radio inclusive of RFID reader.

**MNTX8** Two-way transmitter with 4 keys and dual function for controlling Nice automations.



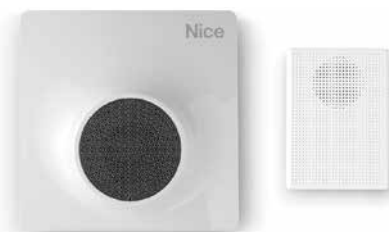
---

## Dissuaders

**MNS** Two-way dual band radio siren for outdoors, with voice messages and LED flashing light.

**MNSC** Wired siren for outdoors with voice messages and LED flashing light (for MNCUTC and MNCUC only).

**MNSI** Two-way dual band radio siren for indoors, with voice messages.



---

## Detectors

**MNMC** Magnetic detector, two-way dual band radio. With 2 programmable wired inputs.

**MNPIR** Volumetric infrared detector, 12 m range 140°, two-way dual band radio.

**MNPIRAA** Volumetric infrared detector, 12 m range 140° with anti-masking function, two-way dual band radio.

**MNPIRPET** pet-immune volumetric infrared detector, 12 m range 90° (lens with fan-shaped coverage), two-way dual band radio.

**MNPIRPETAA** pet-immune volumetric infrared detector, 12 m range 90° (lens with fan-shaped coverage). Anti-masking function, two-way dual band radio.

**MNCPIR** Vertical curtain infrared detector, 12 m range 5°. Two-way dual band radio.

**MNCPIRAA** Volumetric vertical curtain infrared detector, 12 m range 5° with anti-masking function, two-way dual band radio.

**MNCPIR2AA** Double-infrared vertical curtain motion detector, 8 m range 5° with anti-masking function, two-way dual band radio.

**MNPIRLRAA** Long-range infrared detector, 30 m range 10°, with anti-masking function, two-way dual band radio.



**MNDTAA** PIR+MCW dual-technology volumetric detector, 12 m range 90°, with anti-masking function, two-way dual band radio.

**MNDTPETAA** PIR+MCW dual-technology pet-immune detector, 12 m range 90° (lens with fan-shaped coverage), with anti-masking function, two-way dual band radio.

**MNGB** Glass breakage microphone detector, two-way dual band radio, with integrated magnetic contact.

---

## Photo Pir

### **MNPIRTVCC**

Volumetric infrared detector, 12 m range 90° (lens with fan-shaped coverage) with anti-masking function and camera, two-way dual band radio and Wi-Fi.

### **MNPIRTVCCPET**

Pet-immune infrared detector, 12 m range 90° (lens with fan-shaped coverage) with anti-masking function and camera, two-way dual band radio and Wi-Fi.



---

## Technical alarm detectors

### **MNWD**

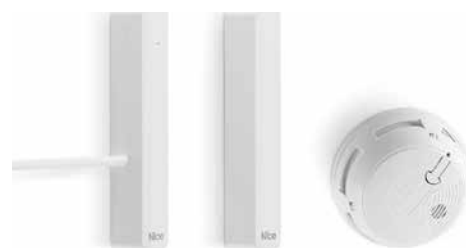
Flooding detector, two-way dual band radio.

### **MNSD**

Smoke detectors. EN 14604-certified, two-way dual band radio.

### **MNTX0**

Transmitter for probes or controls, two-way dual band radio.



---

## Repeater

### **MNREP**

Two-way dual band radio repeater. The device can be used when – due to the excessive distance or physical obstacles lying in between – the radio range between the control unit and certain devices must be extended. The repeater must be placed at an equal distance from the control unit and from the devices to be connected. Up to 4 repeaters can be used for each system.

The repeater must be programmed by pairing it with the control unit and only with the devices not reached by the control unit signal, by selecting the devices from the DEVICE LIST menu.



# Device configuration

---

## Parameters common to all break-in detectors

**Relevant area:** the break-in detectors can be inserted in one or more areas (set of devices).

**Type of alarm:** the various alarms generated by the device can be classified into “sound alarms” (siren sound, calls and alerts towards the outside) or “voice alarms” (pre-recorded voice messages diffused by sirens and by the control unit, besides calls and alerts towards the outside). There are two possible voice alarms with different messages.

**Alarm delay (seconds):** the device activates the alarm with the pre-set delay. Cannot be set on MNWD and MNTX0 sensors.

**Restriction time after an alarm:** adjustable to between 0 and 180 seconds, in case of continuous triggering of the detectors (for example, highly trafficked transit zones, doors/windows continuously opened and closed). Allows for detecting alarms after the first one only after the a pre-set time, thus reducing redundant signals and battery consumption for sensors subject to frequent triggering.

**Alarm LED:** normally enabled for all detectors, but can be disabled.

**Interactive configurations (AND):** this function pairs two sensors or an area, signals the break-in alarm if both sensors or at least two sensors in the area detect a break-in within a pre-set time between 10 and 180 seconds. It allows for reducing the frequency of improper alarms, especially outdoors.

The AND configuration can be enabled in the following ways:

**AND for two detectors:** the alarm is transmitted only if both detectors detect a break-in.

**Area AND:** the function is assigned to all detectors paired with the selected area, and the alarm is triggered if at least two sensors in the same area detect a break-in.

**Warning!** We do not recommend programming two non-volumetric detectors in AND mode.

**Wi-Fi/PhotoPir video camera pairing:** the device can be paired with the Wi-Fi or PhotoPir video cameras already paired with the control unit. The alarm signal by the device will consist in the capturing of frames by the paired video cameras or PhotoPir device.

**Chime function:** this function only activates when the control unit is disabled. Pairing it with a detector allows for signalling people present in the environment or the opening of doors/windows with a sound signal emitted by the control unit or voice message 2 of the sirens.

---

## Specific parameters of MNMC and MNGB magnetic contact detectors

**Door open signal:** normally enabled (EN 50131), but can be disabled. If active, it signals any open doors/windows when the alarm is enabled.

**Anti-tampering with magnet:** normally disabled, but can be enabled. If enabled, it signals with an alarm an attempt to tamper with the device by bringing a magnet near to it.

**Vibration/shock sensor:** normally active, it can be excluded or its sensitivity adjusted.

**Warning!** Do not enable this function on doors/windows frequently subject to trembling or vibrations.

**Wired inputs 1 and 2:** if connected, they appear in the list of devices with the letters “a” and “b”, in addition to the number distinguishing the magnetic contact. Each one can be configured as a NC-NO-Balanced-Double Balanced input, with or without impulse counting. For information on wired connections, consult the device instructions.

---

## Specific parameters of volumetric detectors

**Sensitivity adjustment (PIR):** the sensitivity can be adjusted from minimum level 1 to maximum level 5 (corresponding to the device's maximum range); it must be modified in relation to the dimensions of the environment to be protected.

**Integration adjustment:** adjusts the detection validation time from 1 (50 ms) to 8 (400 ms). It must be increased in relation to the presence of disturbances in the room (air currents, heaters, occasional presence of large insects, mobile curtains and similar).

**Impulse counter adjustment:** adjust to between 1 (alarm after the first valid signal) to 3 (alarm after the third signal) depending of the possibility of improper alarms.

**Temperature compensation:** enable this function only in installations characterised by very high average temperatures.

**Double detection alarm:** enable this function to reduce improper alarms in heavily disturbed environments or when the installation is mounted outside the rooms.

**Anti-masking (models AA only):** with this function selected, if the sensor is blinded the TAMPERING (24 h) alarm activates.

**AND Directional Pir1 -> Pir2 function (MNCPIR2AA only):** allows for programming the device so that it detects the entrance but not the exit through the protected access.

---

## Specific parameters of technical detectors

The technical alarm sensors – MNWD flooding detector, MNSD smoke detector and MNTX0 transmitter for probes or radio controls – are assigned by default by the control unit to the TECHNICAL ALARMS area, active 24 h even when the control unit is disabled. This function cannot be modified.



## Control unit parameter configuration

**Enabling prevention with open doors/windows:** (normally enabled in accordance with EN 50131). If any doors/windows are open, this function prevents the alarm from enabling until all the door/windows protected with MNMC have been closed.

**Isolated devices:** selecting the devices from the list allows for excluding them from the system; this function is used to allow maintenance activities or when the device is faulty.

**Alarm time (seconds):** the time during which – in case of alarm – the sound signal is activated through the MNSC, MNS, MNSI sirens and the siren mounted on the control unit itself.

**Exit time (seconds):** delays enabling of the alarm from the moment the command is given for the set time.

**Radio monitoring enabling:** (normally enabled in accordance with EN 50131). All the system's devices are monitored at regular intervals; the control unit detects in real time the status of the connected devices, emitting warnings in case of faults, and the battery charge level.

**Radio interference time (seconds) / Network absence time / Wi-Fi absence time:** in case of radio interferences, power outages or loss of Wi-Fi connection for a duration exceeding the set time, the function activates the signals on the display and, after 10 seconds, the sending of alerts to enabled users.

**Enable duress function from touch screen:** the duress function allows – by entering a specific PIN – for simulating the alarm system's disabling with the discrete sending of calls or alarm alerts to enabled users and security agencies.

It is obtained by adding +1 to the last digit of the PIN, for example PIN: 11111 duress function activation code 11112 or PIN 11119 duress function activation code 11110. In case of error, calls can be disabled by entering the correct PIN within 30 seconds.

**Enable duress function from TAG:** allows for activating the duress function through the use of the transponder with the control unit or MNKP.

**Chime time (seconds):** duration of the sound signal and/or voice message 2 recorded in the sirens.

**Stand-by time (seconds):** adjusts the time of the touch screen's entry into stand-by mode after the last operation.

**Display brightness:** adjusts the display brightness.

**Volume of voice messages:** adjusts the local message reproduction volume.

## User functions

---

**Full enabling, disabling and partial enabling:** determines the areas that the user can enable or disable through the control devices.

**Enabled user:** if active, it indicates that the user is enabled to use the alarm system. It must be disabled for users who cannot normally access the home but who can receive aid alerts, for example night-time surveillance.

**Enable direct access through the control unit:** allows the enabled user to access the control unit via a telephone call from the memorised number, without entering the PIN.

**Enable direct management via app:** allows the enabled user to

connect to the control unit remotely and control it through the MyN-ice World app.

**Management of alerts via app - Management of alerts via SMS - Management of alerts via voice messages:** allows the user to receive only the selected alerts.

**Enable e-mail management:** allows the enabled user to receive alerts via e-mail at the entered address.

**Paired smartphones:** displays the smartphones associated with the user.

# Installer menu

---

Language	>	To select the language
Country	>	To select the country
Date and time	>	To modify the viewing preferences and set the date and time
System name	>	To modify the system's name
WiFi connection	>	To set the connection parameters
Area names	>	To rename the areas
Programming your devices	>	To add alarm system devices and modify the parameters
User management	>	To add users and modify the authorisations
General control unit parameters	>	To set the stand-by time of the screens and adjust the brightness of the display and the volume of voice messages. Disable the LED signals of the devices and temporarily isolate the devices to be serviced
Other communication parameters	>	To enable and disable the following functions: medical aid, panic and aggression aid, GSM calls, periodic messages, Internet connection, Contact ID digital protocols
Email	>	To activate and manage reception of alerts via e-mail
Voice notification recording	>	To record alert voice messages
Request residual credit	>	To request reception via SMS of the remaining credit of the SIM card
System Test	>	To test the devices (field meter, device tests, combiner test, siren test, frame test and relay test)
Programming your domotics devices	>	To pair Nice automations
Scenarios	>	To create, modify and set timer for scenarios
Utilities	>	System saving via MicroUSB, resetting of the system via MicroUSB, updating of the system through Cloud, USB updating / system re-start, firmware updating via MicroUSB, restoring of default settings
Smartphone Association	>	To pair smartphones and tablets via the MyNice World app
Event Memory	>	To consult the log of events

# How to connect IP video cameras

---

Up to 4 IP video cameras can be connected to the control unit, through the domestic Wi-Fi network (only control units connected in Client mode).

Access the Device programming menu - IP video cameras

Enter the user name and password of the IP video camera, the ADDRESS LINK and the MAC ADDRESS then set the reception interval of the frames from 1 to 5 seconds and the number of frames...

## Smartphone pairing

---

Before proceeding make sure you have disabled the user in the section

User management >

ENABLE DIRECT MANAGEMENT VIA APP ✓

Download the MyNice World app to the smartphone

- if the control unit is connected in Client mode, ensure that the smartphone is connected to the Wi-Fi or is nonetheless enabled to exchange data;
- if the control unit is connected in Access Point mode, connect the smartphone to the WLAN of the control unit.

Access the menu

 Settings Menu >

Smartphone Association

Start the MyNice World app and configure the system (New configuration)

Fill in the fields by copying the IP address of the control unit and the serial number.

Enter the user name exactly as it is memorised in the control unit and the respective PIN, press Start on the control unit and OK on the smartphone. Wait for the pairing procedure to terminate, as confirmed by an acoustic signal. To confirm the correct pairing, the name of the user who requested the authentication will appear on the control unit.



**Nice**

**Nice S.p.A.**  
Via Pezza Alta, 13  
31046 Oderzo TV Italy  
info@niceforyou.com

[www.niceforyou.com](http://www.niceforyou.com)